

# AGA Series Control Stations (Single Column)

## IP65 Waterproof Aluminum Control Stations for ø30 mm Switches/Pilot Lights

Various control stations are available from one to five holes with most widely used combinations of switches/pilot lights (contact configurations, voltage, button colors, and nameplates).

- Versatile combinations of switches/pilot lights are possible. Select from a wide variety of 30 mm (1-13/64 inch) dia. switches/pilot lights as required.
- In addition to standard depth enclosures, deep enclosures are also available for mounting illuminated pushbuttons which require a large depth behind the mounting surface.  
(See page 15 for more details).



## Specifications

Degree of Protection (Note 1)	IP65 (IEC60529) (Key selector switch: Splash-proof IP54)
Material (Enclosure)	Aluminum alloy die-cast
Coating Color (Melamine coating)	Yellow semi-gloss (Munsell 5Y7/1, outside only)
Rated Insulation Voltage	600V (Buzzer: 250V)
Insulation Resistance	5 MΩ minimum
Dielectric Strength (Note 2)	Between live and dead parts: 2500V AC, 1 minute
Standard Operating Conditions (Note 3)	Ambient temperature: -25 to +50°C (no freezing) Relative humidity: 45 to 85% (no condensation)
Enclosure Style	Wall mount (1 to 5 holes) Pole mount (1 to 5 holes)
Cable Lead-in Hole (Wall Mount)	Entrance hub (Gland hub also available) 1 to 3 holes: HNA22 G3/4 (22 mm) 4 or 5 holes: HNA33 G1 (28 mm) (Standard control stations)
Applicable Switches/Pilot Lights	IDEC ø30 mm TWN/TWND series AZ buzzer and AM ammeter (except enclosed type units)

Note 1: The degree of protection depends on the switches/pilot lights mounted on the enclosure. When IP65 switches/pilot lights are mounted, the entire control station has IP65 characteristics. (See page 2)

Note 2: AM ammeter/buzzer: 2000V AC, 1 minute

Note 3: Buzzer: -10 to +40°C

## Contact Ratings (Contact Block)

Contact Block	Rated Insulation Voltage	600V
	Rated Thermal Current	10A
	Contact Ratings by Utilization Category	AC-15 (A600) DC-13
	IEC60947-5-1	

## Operational Voltage and Current by Utilization Category

Operational Voltage			24V	48V	50V	110V	220V	440V
Operational Current	AC (50/60Hz)	AC-12 Control of resistive loads and solid state loads	10A	—	10A	10A	6A	2A
		AC-15 Control of electromagnetic loads (>72VA)	10A	—	7A	5A	3A	1A
Operational Current	DC	DC-12 Control of resistive loads and solid state loads	10A	5A	—	2.2A	1.1A	—
		DC-13 Control of electromagnets	5A	2A	—	1.1A	0.6A	—

### Common

Minimum applicable load (reference) = 3V AC/DC, 5mA (the applicable range is subject to change according to the operating conditions)

### Switch/Pilot Light Mounting Holes

The holes for mounting switches/pilot lights are 30.5 mm in diameter with an anti-rotation notch. Mounting centers are 50 mm.

### Waterproof Bushing

Four plastic bushings are provided inside the corners for mounting screws to secure the control station on a panel surface.

### Lead-in Fittings (Wall Mount)

An entrance hub made of aluminum is supplied for connecting a steel conduit to lead in cables.

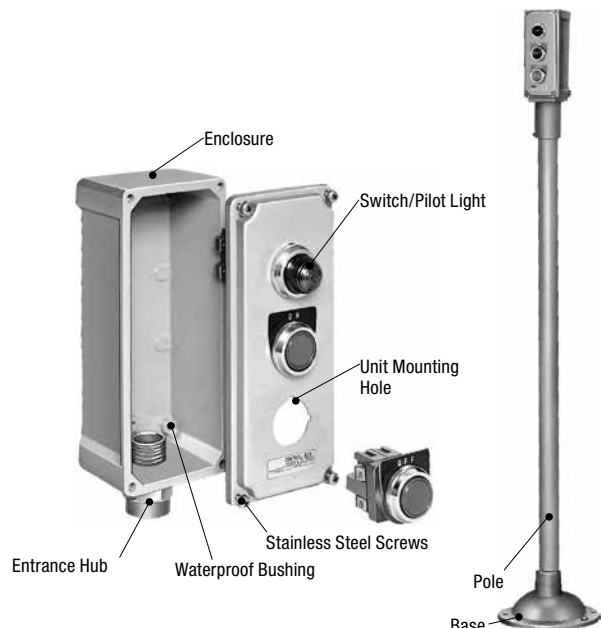
1 to 3 holes: With HNA22 G3/4 for 22 mm conduit

4 or 5 holes: With HNA33 G1 for 28 mm conduit

HNAG gland hubs for leading in cables are also available.

### Stand Pole (Pole Mount)

The pole is made of carbon steel pipe, and the stand base is made of cast iron. The coating color is the same as the enclosure, yellow (semi-gloss).



### Control Stations with Switches/Pilot Lights

Control boxes are available with a selected combination of switches/pilot lights as listed below. For the dimensions and mounting centers, see the figures on pages 15 and 16.

#### Switches/Pilot Lights Mounted on Standard Control Stations

Switch/Pilot Light	Part No.	Specifications
Pushbutton 	ABN110 *	Flush, 1NO
	ABN101 *	Flush, 1NC
	ABN111 *	Flush, 1NO-1NC
	ABN311R	ø40 mushroom, 1NO-1NC
	ABBN1110 **	Flush, double beam latching, 1NO
	ABBN1111 **	Flush, double beam latching, 1NO-1NC
	HN1E-BV411R	Emergency stop, 1NO-1NC
Pilot Light 	APN116DN *	Dome, 100/110V AC
	APN126DN *	Dome, 200/220V AC
Selector Switch 	ASN211N	Knob, 2-position, 1NO-1NC
	ASN320N	Knob, 3-position, 1NO-1NC
	ASN2K11N-N024401	Key, 2-position, 1NO-1NC
Buzzer 	AZ11N	110V AC
	AZ12N	220V AC
Meter 	AM ammeter	Specify capacity (Part No.) Coating color of the meter bezel: N1.5

Note: Specify a button or lens color code in place of \*:  
 Pushbutton: B (black), G (green), R (red)  
 Pilot Light: G (green), R (red), W (white)  
 Flush pushbuttons are supplied with black, green, and red color caps.

#### Capacity and Part No. of AM Ammeters

	Capacity	Part No.	Remarks
Ammeter	5A (nominal)	AM21B	<ul style="list-style-type: none"> <li>Use a current transformer on ammeters of 30A rating or more.</li> </ul>
	10A (nominal)	AM22B	
	15A (nominal)	AM23B	
	30/5A (nominal)	AM24CB	
	60/5A (nominal)	AM25CB	
	100/5A (nominal)	AM26CB	
	150/5A (nominal)	AM27CB	
	200/5A (nominal)	AM28CB	
	300/5A (nominal)	AM29CB	
/5A (nominal)	AM2CB *		

Note 1: When ordering, specify the Part No. Also specify a current value for the ammeter marked with \*.  
 Note 2: The dial has a double-expanded scale. Also available are for triple-expanded scales, 1A meters and other special ratings. Contact IDEC for details about other special specifications.

Package Quantity: 1

Control Station		Mounted Switches/Pilot Lights		
Style	Part No.	Symbol	Part No.	NA Nameplate Legend
Wall Mount 1 hole	AGA1101Y		ABN110	ON
	AGA1102Y		ABN311R	OFF
	AGA1103Y		APN116DNR	Without nameplate
	AGA1104Y		APN126DNR	Without nameplate
	AGA1105Y		ASN211N	HAND-AUTO
	AGA1106Y		ASN320N	HAND-OFF-AUTO

Control Station		Mounted Switches/Pilot Lights		
Style	Part No.	Symbol	Part No.	NA Nameplate Legend
Wall Mount 1 hole	AGA1107Y		ASN2K11N-N024401	OFF-ON
	AGA1108Y		AZ11N	Without nameplate
	AGA1109Y		AZ12N	Without nameplate
Pole Mount 1 hole	AGA1111Y		HN1E-BV411R	EMERGENCY STOP
	AGA1101SY		ABN110	ON
	AGA1102SY		ABN311R	OFF
Wall Mount 2 holes	AGA1111SY		HN1E-BV411R	EMERGENCY STOP
	AGA2101Y	 	ABN110 ABN101	ON OFF
	AGA2102Y	 	ABN111 ABN111	ON OFF
	AGA2103Y	 	APN116DNR APN116DNG	Without nameplate
	AGA2104Y	 	APN126DNR APN126DNG	Without nameplate
	AGA2105Y	 	APN116DNR ABN111	Without nameplate STOP
	AGA2106Y	 	APN126DNR ABN111	Without nameplate STOP
	AGA2107Y	 	APN116DNR ASN211N	Without nameplate HAND-AUTO
	AGA2108Y	 	APN126DNR ASN211N	Without nameplate HAND-AUTO
	AGA2110Y	 	APN126DNR ASN2K11N-N024401	Without nameplate OFF-ON
	AGA2113Y	 	ABN110 ABN311R	ON OFF
	AGA2116Y	 	AZ11N ABN111	Without nameplate
	AGA2117Y	 	AZ12N ABN111	Without nameplate
	AGA2118Y	 	AZ11N APN116DNR	Without nameplate
	AGA2119Y	 	AZ12N APN126DNR	Without nameplate

Degree of protection marked with \* is splash-proof IP54.

# AGA Series Control Stations (Single Column)

Control Station		Mounted Switches/Pilot Lights		
Style	Part No.	Symbol	Part No.	NA Nameplate Legend
Pole Mount 2 holes	AGA2101SY		ABN110 ABN101	ON OFF
	AGA2107SY		APN116DNR ASN211N	Without nameplate HAND-AUTO
Wall Mount 3 holes	AGA3102Y		APN116DNR ABN110 ABN101	Without nameplate ON OFF
	AGA3103Y		APN126DNR ABN110 ABN101	Without nameplate ON OFF
	AGA3104Y		ABN111 ABN111 ASN211N	ON OFF HAND-AUTO
	AGA3105Y		APN116DNW APN116DNR APN116DNG	Without nameplate
	AGA3106Y		APN126DNW APN126DNR APN126DNG	Without nameplate

Control Station		Mounted Switches/Pilot Lights		
Style	Part No.	Symbol	Part No.	NA Nameplate Legend
Pole Mount 3 holes	AGA3102SY		APN116DNR ABN110 ABN101	Without nameplate ON OFF
	AGA3104SY		ABN111 ABN111 ASN211N	ON OFF HAND-AUTO
Wall - Pole 4 holes	Wall Mount AGA4101Y		APN126DNR APN126DNG ABN111 ABN111	Without nameplate Without nameplate ON OFF
	Pole Mount AGA4101SY			
	Wall Mount AGAM4101Y		(Note) AM ammeter ABN111 ABN111	Without nameplate ON OFF
	Pole Mount AGAM4101SY			
	Wall Mount AGA4102Y		APN126DNR ABN111 ABN111 ASN211N	Without nameplate ON OFF HAND-AUTO
	Pole Mount AGA4102SY			
Wall - Pole 5 holes	Wall Mount AGA5101Y		APN126DNR APN126DNG ABN111 ABN111 ASN211N	Without nameplate Without nameplate ON OFF HAND-AUTO
	Pole Mount AGA5101SY			
	Wall Mount AGAM5101Y		(Note) AM ammeter APN126DNR ABN111 ABN111	Without nameplate Without nameplate ON OFF
	Pole Mount AGAM5101SY			

Note: Specify the Part No. of the meter to select a required capacity.

## Empty Enclosures

Package Quantity: 1

Style		1 or 2 holes			3 holes		4 or 5 holes				
Part No.	①	AGA210Y	AGA211Y	AGA212Y	AGA310Y	AGA311Y	AGA411Y	AGA412Y	AGA510Y	AGA511Y	AGA512Y
	②	AGA210DY	AGA211DY	AGA212DY	AGA310DY	AGA311DY	AGA411DY	AGA412DY	AGA510DY	AGA511DY	AGA512DY
	③	AGA210HLY	AGA211HLY	AGA212HLY	AGA310HLY	AGA311HLY	AGA411HLY	AGA412HLY	AGA510HLY	AGA511HLY	AGA512HLY
Shape											
Weight (Approx.)	① 0.6 kg ② 1.0 kg ③ 0.5 kg				① 0.7 kg ② 1.2 kg ③ 0.6 kg		① 0.9 kg ② 1.4 kg ③ 0.8 kg				
<p>① : Standard depth enclosure with an entrance hub                      1 to 3 holes: With HNA22 G3/4 entrance hub for 22 mm conduit                      4 or 5 holes: With HNA33 G1 entrance hub for 28 mm conduit</p> <p>② : Deep enclosure with an entrance hub                      1 or 2 holes: With HNA22 G3/4 entrance hub for 22 mm conduit                      3 to 5 holes: With HNA33 G1 entrance hub for 28 mm conduit</p> <p>③ : Standard depth enclosure without an entrance hub                      1 to 3 holes: With a threaded hole G3/4 (22 mm) at the bottom                      4 or 5 holes: With a threaded hole G1 (28 mm) at the bottom</p>		<p>• Switch/Pilot Light Mounting Holes</p>		<p>• Effective Depth inside the Enclosure</p>		<p>(Meter Mounting Hole)</p> <p>All dimensions in mm.</p>					

In addition to the enclosures shown above, enclosures with a shade and pole mount enclosures are also available. See the list below and page 16.

## Other Models (For 1, 2 or 3 holes)

Package Quantity: 1

Style		Hub	Shade	Pole	1 or 2 holes			3 holes	
Part No.	Standard depth enclosure	X	X		AGA210KY	AGA211KY	AGA212KY	AGA310KY	AGA311KY
				X	AGA210SY	AGA211SY	AGA212SY	AGA310SY	AGA311SY
			X		AGA210KSY	AGA211KSY	AGA212KSY	AGA310KSY	AGA311KSY
	Deep enclosure	X	X		AGA210KHL	AGA211KHL	AGA212KHL	AGA310KHL	AGA311KHL
				X	AGA210DKY	AGA211DKY	AGA212DKY	AGA310DKY	AGA311DKY
			X	X	AGA210DSY	AGA211DSY	AGA212DSY	AGA310DSY	AGA311DSY
Shape									
Weight (Approx.)	Standard depth enclosure	With a shade			0.85 kg	0.85 kg	0.85 kg	0.95 kg	0.95 kg
		Pole mount			6.1 kg	6.1 kg	6.1 kg	6.2 kg	6.2 kg
		Pole mount with a shade			6.4 kg	6.4 kg	6.4 kg	6.5 kg	6.5 kg
	With a shade (without a hub)			0.75 kg	0.75 kg	0.75 kg	0.85 kg	0.85 kg	
	Deep enclosure	With a shade			1.25 kg	1.25 kg	1.25 kg	1.45 kg	1.45 kg
		Pole mount			6.75 kg	6.75 kg	6.75 kg	6.95 kg	6.95 kg
Pole mount with a shade			7.0 kg	7.0 kg	7.0 kg	7.1 kg	7.1 kg		

## Other Models (For 4 or 5 holes)

Package Quantity : 1

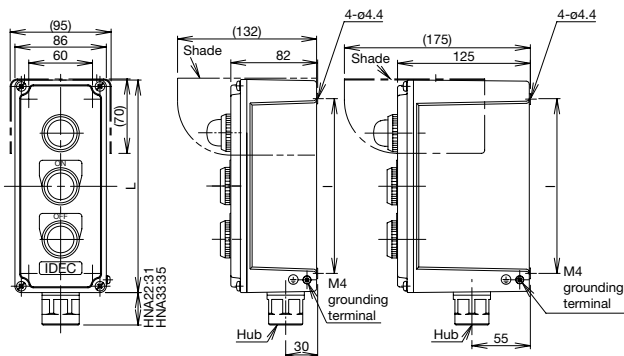
Style		Hub	Shade	Pole	4 or 5 holes				
					AGA411KY	AGA412KY	AGA510KY	AGA511KY	AGA512KY
Part No.	Standard depth enclosure	X	X		AGA411SY	AGA412SY	AGA510SY	AGA511SY	AGA512SY
			X	X	AGA411KSY	AGA412KSY	AGA510KSY	AGA511KSY	AGA512KSY
			X		AGA411KHLY	AGA412KHLY	AGA510KHLY	AGA511KHLY	AGA512KHLY
	Deep enclosure	X	X		AGA411DKY	AGA412DKY	AGA510DKY	AGA511DKY	AGA512DKY
				X	AGA411DSY	—	AGA510DSY	AGA511DSY	AGA512DSY
			X	X	AGA411DKSY	—	AGA510DKSY	AGA511DKSY	AGA512DKSY
Shape									
Weight (Approx.)	Standard depth enclosure	With a shade			1.15 kg	1.15 kg	1.15 kg	1.15 kg	1.15 kg
		Pole mount			6.4 kg	6.4 kg	6.4 kg	6.4 kg	6.4 kg
		Pole mount with a shade			6.65 kg	6.65 kg	6.65 kg	6.65 kg	6.65 kg
	Deep enclosure	With a shade (without a hub)			1.05 kg	1.05 kg	1.05 kg	1.05 kg	1.05 kg
		With a shade			1.65 kg	1.65 kg	1.65 kg	1.65 kg	1.65 kg
		Pole mount			6.9 kg	—	6.9 kg	6.9 kg	6.9 kg
Pole mount with a shade			7.15 kg	—	7.15 kg	7.15 kg	7.15 kg		

• For details about enclosures without switches/pilot lights, see page 15.

## Dimensions

All dimensions in mm.

### AGA Control Station (Wall Mount)



Dimensions in ( ) for a control box with a shade.

	1 hole	2 holes	3 holes	4 holes	5 holes
L	150	200	300		
l	114	164	264		
Weight (Approx.)	0.6 kg	0.7 kg	0.9 kg		

### Entrance Hub (Supplied)

(Standard depth enclosures)

1 to 3 holes: With HNA22 G3/4 for 22 mm conduit

4 or 5 holes: With HNA33 G1 for 28 mm conduit

(Deep enclosures with an entrance hub)

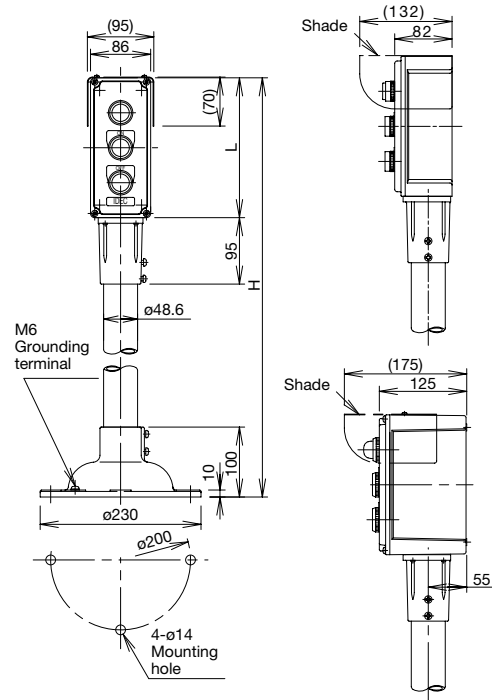
1 or 2 holes: With HNA22 G3/4 for 22 mm conduit

3 to 5 holes: With HNA33 G1 for 28 mm conduit

Gland hubs for leading in cables are also available.

Part No.	Applicable Cable Diameter (R)
HNG21	8, 10, 12
HNAG22	13, 15, 17
HNAG33	18, 20, 22

### AGA Control Station (Pole Mount)

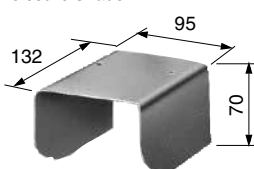
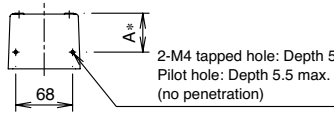

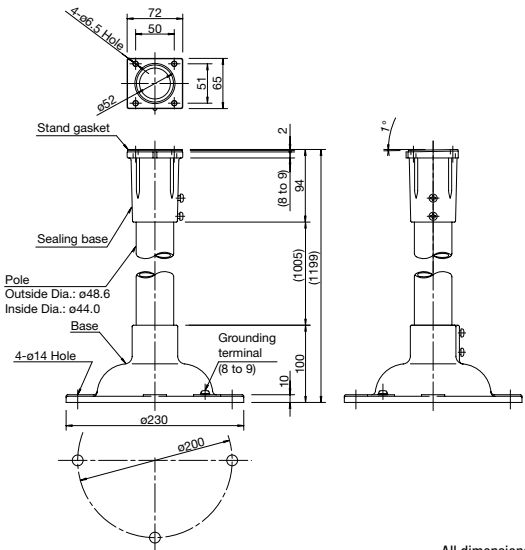


Dimensions in ( ) for a control box with a shade.

	1 hole	2 holes	3 holes	4 holes	5 holes
H	1350	1400	1500		
L	150	200	300		
Weight (Approx.)	6.1 kg	6.2 kg	6.4 kg		

## Accessory (Options)

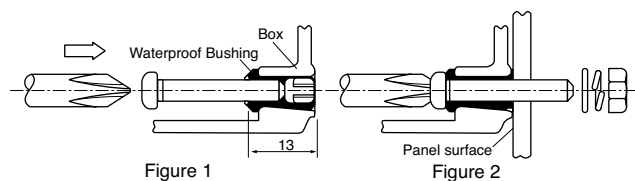
Package Quantity: 1

Name & Shape	Part No.	Description & Dimensions
<p><b>Enclosure Shade</b></p>  <p>Material: Carbon steel plate Thickness: 1 mm Weight: Approx. 0.25 kg</p>	<b>AGZ-S1Y</b>	<ul style="list-style-type: none"> <li>Protection for switches/pilot lights against direct sunlight and falling objects.</li> <li>Color: Yellow semi-gloss (Munsell 5Y7/1)</li> <li>Shade mounting hole</li> </ul>  <p>2-M4 tapped hole: Depth 5 Pilot hole: Depth 5.5 max. (no penetration)</p> <p>* Dimension A AGA210, 310, 510: 46.5 mm AGA210D, 310D, 510D: 90 mm</p>
<p><b>Stand Pole</b></p>  <p>Weight: Approx. 5.6 kg</p>	<b>AGZ-S205</b>	<ul style="list-style-type: none"> <li>For replacement of the stand pole.</li> <li>Color: Yellow semi-gloss (Munsell 5Y7/1)</li> </ul>  <p>4-ø14 Hole</p> <p>Stand gasket</p> <p>Sealing base</p> <p>Pole Outside Dia.: ø48.6 Inside Dia.: ø44.0</p> <p>Base</p> <p>4-ø14 Hole</p> <p>Grounding terminal (8 to 9)</p> <p>ø230</p> <p>ø200</p> <p>2</p> <p>(8 to 9)</p> <p>94</p> <p>(1005)</p> <p>(1199)</p> <p>100</p> <p>10</p> <p>All dimensions in mm.</p>

## Instructions

### Precautions for Mounting on Panel (Wall)

1. Insert M4 screws into the waterproof bushings at all four corners inside the box. Push the screws with a screwdriver and penetrate the bushings (Figure 1).
2. Thrust the screws into panel holes and secure the screws with nuts (Figure 2). Waterproof characteristics are not affected by piecing the bushings with screws.



## Ordering Information

When ordering control stations with switches/pilot lights:

Specify the Part No. of the control station.

When ordering enclosures without switches/pilot lights:

Specify the following items.

1. Part No. of the enclosure
2. Part No. and specifications of the switches/pilot lights to be mounted (lens color, button color, etc.)
3. Nameplate
4. Lead-in fitting
  - Only when ordering the gland hub for lead in cables, specify the Part No. and the cable outside diameter (R).
5. Other specifications

### Ordering Example

Part No. of Enclosure	AGA311Y	
Switch/Pilot Light and Nameplate	①	APN126DNR
	②	ABN210B, with NA-1
Lead-in Fitting	③	ABN201R, with NA-2
	④	HNAG22 R15

Note: Any ø30 mm TWN/TWND series switches/pilot lights are selectable. Take into consideration the degree of protection of the switches/pilot lights and the effective depth of the enclosure.